



**SYNTHESIS**

HARDWARE

DORTREND ANTI-LIGATURE RANGE

## Ligature Resistant products not illustrated in this brochure

As the manufacturer of our Anti-ligature range we offer bespoke solutions to meet your precise requirements. Amongst the products available to you are:

- **Clutch-less emergency release** solution for service users. Entrance doors sold as a complete set including high quality lock, pull handles and plates made from stainless steel, with top quality cylinder master keyed to your requirements. All fittings torx pin and tamper proof with unique emergency release system. Everything you need in one box
- **Made to order radiator covers.** Ligature resistant and powder coated to colour of your choice. Helps prevent self harming. Illustrated below.
- **Ligature resistant/tamper resistant soap or towel dispenser**
- **TV protection cabinet** with unbreakable polycarbonate cover gives a clear picture. The tough lightweight frame prevents tampering and a unique drainage system protects the TV from damage by liquids
- **Ligature resistant window restrictor** manufactured from stainless steel
- **New soft touch coating.** Any of our range can be coated with a very special coating that makes the product soft to the touch
- We can convert most proximity locks to give an anti-ligature solution
- We can convert most profile cylinders to ligature resistant and anti barricading

Remember if you do not see it in the catalogue just give us a call on 01299 827837 or go to [www.dortrend.co.uk](http://www.dortrend.co.uk) for more details.



## Dortrend - specialists in door fittings.

Established in the mid 70s Dortrend has developed into a respected innovator, manufacturer and designer of specialist door handles including fittings for the less physically able, anti bacterial handles and Anti ligature fittings, which we have been manufacturing for over 15 years.

We are pleased to publish the fifth version of our anti ligature catalogue detailing our wide range of products. What makes us unique is that as we manufacture our products to very high standards and tight tolerances in our factory in the UK, we can adjust them to the specific needs of the clients and staff of mental health units.

Our experience in manufacturing and the experience of our customers combined has resulted in many of the products illustrated in this brochure. However, we never stop striving to achieve better products and we are always pleased to receive input from the people using our products and working with them to improve their performance or design new products to meet specific needs.

We fully recognise that door fittings function and staff safety issues will vary widely between establishments and we have produced a range of options to cover most eventualities.

A huge variety of designs have been produced and it would have been impossible to illustrate in this catalogue all the products we have developed for the mental health care market.

If you do not see what you require in this catalogue please contact our sales team and we will do our best to help you. We can offer all our products coated with TouchClean® antibacterial coating to protect staff and clients from bacteria spread by contact with door fittings.

Another innovation from Dortrend.

## Standard finishes

Satin Stainless Steel SSS  
Polished and anodised aluminium AS

## Special orders

(Minimum quantities apply)  
Please contact our sales office for details

TouchClean® anti bacterial finish TC  
Polished brass PB  
Mirror polished stainless steel PSS  
Soft Touch Polyester coating  
Epoxy powder coated EP

## Quality

All our products have been tested in accordance with DHF (Door and Hardware Federation) Technical Specifications for "Door Mounted Anti-ligature Devices for Safety and Security Purposes" (TS001). Our own in house tests also focus on the products ability to resist damage and maintain function if attacked. For details of DHF testing please see their website at [www.abhm.org.uk](http://www.abhm.org.uk). More information and short videos can be viewed on our website at [www.dortrend.co.uk](http://www.dortrend.co.uk). We take every possible care to design our products to be ligature resistant, robust and visually attractive.

Dortrend International has been the innovator in door furniture design for many years and was amongst the first to develop products for the healthcare industry, as well as anti-ligature products, to protect vulnerable patients and residents of homes, institutions and hospitals.

## Design copyright

All the door handles and accessories in this catalogue are original designs of, and manufactured by, Dortrend. The copyright in all designs belongs to Dortrend International Ltd.

## Product range

The range of products we offer is not limited to those shown in this catalogue as there are too many variants and possibilities to show.

We have therefore included the most commonly used examples: if you do not see what you want here please contact us to discuss your requirements

## Latest products

Printed catalogues can get out of date due to the introduction of new ranges. We therefore advise customers to check our web site for the latest additions.

## [www.dortrend.co.uk](http://www.dortrend.co.uk)

The web site shows details of the extensive range of other Dortrend products as well as those in this catalogue

## TouchClean®

is an anti-bacterial and anti-viral coating that protects against hand borne organisms such as MRSA, e-coli, SARS, c-diff, etc. It is self cleaning too. All Dortrend products can be supplied with this coating to special order.

All dimensions, weights etc. given in this brochure are approximate.

Dortrend International Limited is continually refining and improving its product range, and therefore reserves the right to alter specification without prior notice, where this proves necessary for technical or other reasons.

Any items ordered from this brochure are subject to our standard terms and conditions of sale, which are printed in our current price list, a copy of which is available upon request.

Dortrend International Limited has taken maximum care designing these products. However the Company cannot guarantee that there are no circumstances in which self harm is not possible.

## Contents

Introduction and products	2 - 3
Lever handles & knobs	4 - 5
Pull handles	6 - 8
Window fittings	9
Clutch turns and escutcheons	10 - 11
Washroom fittings	12 - 13
Door accessories	14 - 15

\* Photographs with this icon have a video clip on our website - [www.dortrend.co.uk](http://www.dortrend.co.uk)

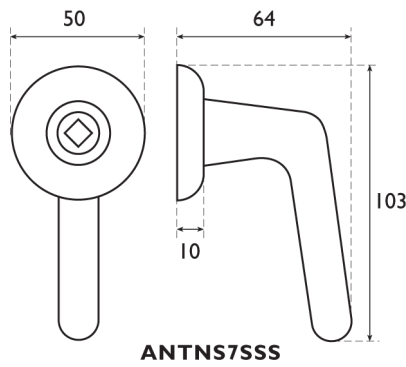


International Ltd

**dortrend**

*Touch*  *Clean*®





ANTNS7SSS

**ANTNS7SSS** ↑

Anti-ligature lever set. The lever handle is set at a 45 degree angle.

When pressure is applied it falls to 90 degrees (vertical) causing the ligature to slip off.

The lever set bolts through the door at 38mm centres and on the client side of the door there are no visible fixings. Can be used in conjunction with a blind rose as a set and also on a plate to customer's specifications. Available in aluminium, satin stainless steel or textured powder coated.



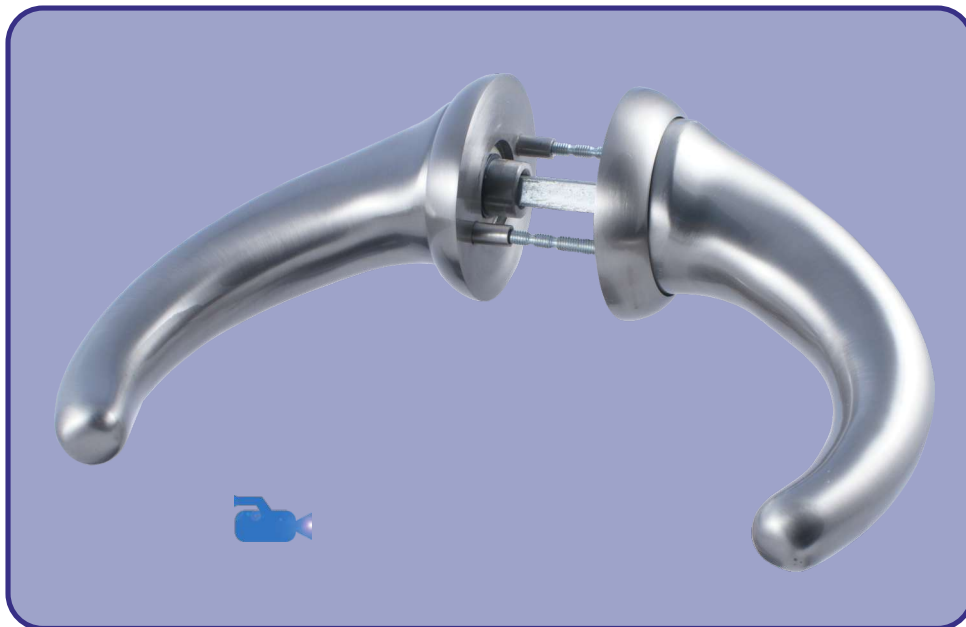
**ANTNS763SSS** ↑

As ANTNS7SS but on a 63mm rose



**ANTNS7ESPAG** ↑

The solution for fitting levers to metal doors, manufactured to your requirements to suit most leading door manufacturer's multi-point locks. Please contact our sales office for details



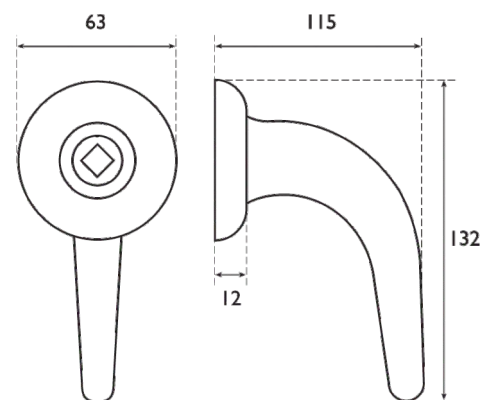
**ANT19 Lever set** ↑

A curved lever handle which features bolt through fixings at 38mm centres and has no visible fixings on the client side. The lever sits on the door at a 45 degree angle and falls to vertical when pressurised. This lever was developed to enable the less physically able to operate doors easily but is also a very strong handle offering excellent resistance to ligatures.

It is recommended that this product is used in conjunction with an inverted lock. Due to the lever handle clashing with a turn when used in conjunction with a cylinder or bathroom turn, we advise that this handle should be used with a heavily sprung DIN standard lock case. Can be used in conjunction with a blind rose as a set and also on a plate to customer's specifications.

Available in stainless steel only and to any RAL number.

See this product in action on [www.dortrend.co.uk](http://www.dortrend.co.uk)



ANT19

Our anti-ligature levers and knobs are designed to function with most proximity locks, and have been successfully employed on many major projects

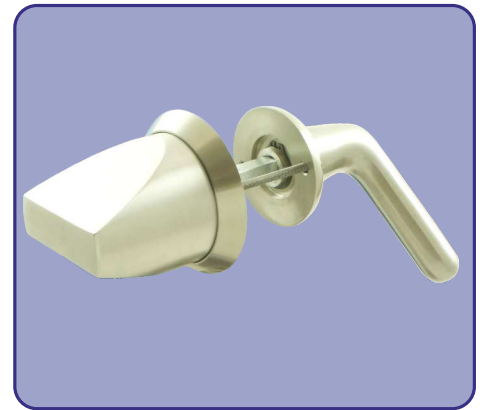


### ANT19 kit ↑

The combination illustrated shows the levers and turns on plates. This combination has many advantages as it strengthens the door at its weakest point. It ensures that the surface is perfectly flat for mounting the handles and can also aid fitting the door when handles are being replaced. For doors designed for heavy use this arrangement provides additional stability. Thicker handle roses (5mm) can be fitted to the plates and the plates are bolted through the door.

### ANTOBR/OBRO ↑

ANT7 lever on an oblong rose complete with an oblong lock escutcheon. Bolted through the door for added security. For use on metal doors and supplied as a complete set



### ANTK/ANT7SSS ↑

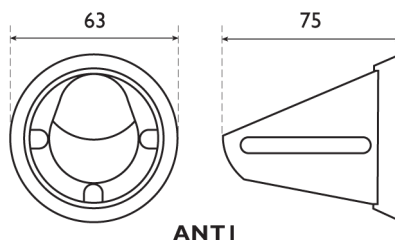
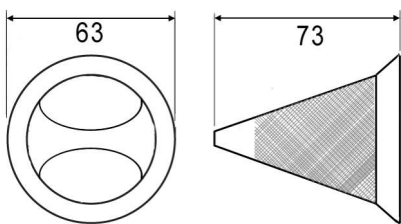
has the special knurled knob on the service user side which bolts through securely to a lever on the staff side. There are no visible fixings on the inside and a torx pin anti-tamper head on the outside. Available in satin stainless steel or polished aluminium.

### ANTI/ANT7SSS ↑

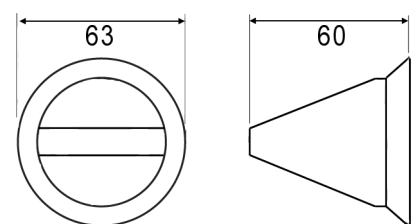
has the knob on the service user side which bolts through securely to a lever on the staff side. There are no visible fixings on the inside and a torx pin anti-tamper head on the outside. Available in satin stainless steel or polished aluminium.

### ANT6/ANT7SSS ↑

has the knob on the service user side which bolts through securely to a lever on the staff side. There are no visible fixings on the inside and a torx pin anti-tamper head on the outside. Available in satin stainless steel or polished aluminium.



ANTI



We can provide plates made to any size bolted through to ferrules or face fixed.  
We can supply kicking plates that have ultra softened or radiused edges fixed with anti-tamper screws.



**ANT2PL** ↑

Pull handle 25mm diameter x 150mm length on a 265 x 75mm plate (plate can be changed to suit customer's specification).

Available in polished aluminium or satin stainless steel.

**Options:**

Face fix on plate ANT2PL

Back to back on plate ANT2BTP

Plate fixed back to back with finger plate ANT2BTP

On rose ANT2RR

**ANT5PL** ↑

Pull handle 32 x 150mm on a 190 x 65mm plate (plate can be changed to suit customer's specification).

Available in polished aluminium or satin stainless steel.

**Options:**

Back to back on plate ANT5PLBB

Face fix on plate ANT5PL

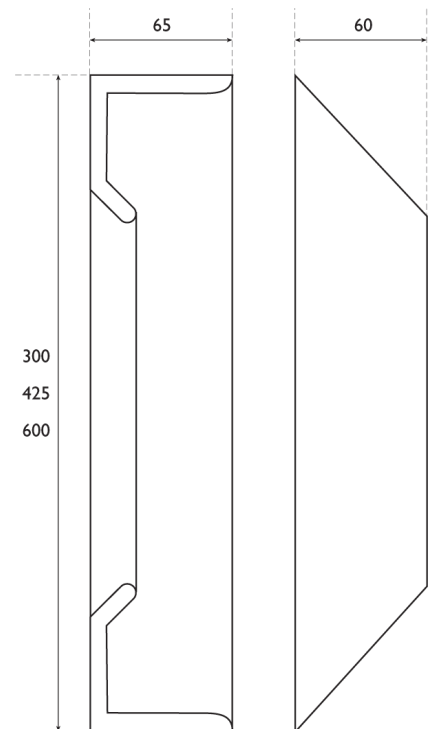
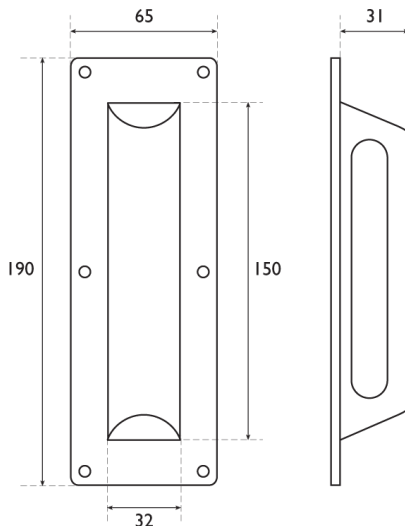
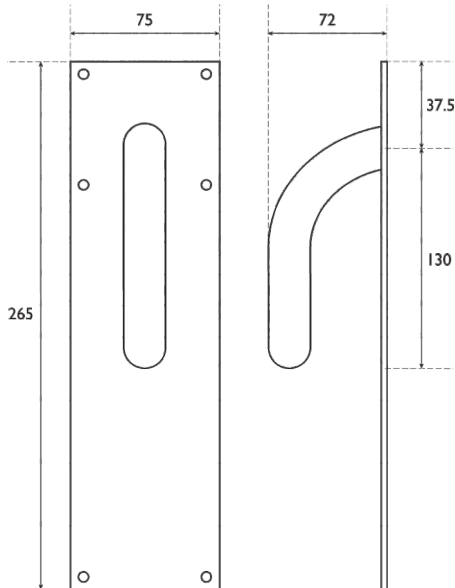
Plate fixed back to back with finger plate ANT5BTPL

**ANTWHISSS** ↑

Manufactured in stainless steel available in the following variations:

Bolt through ANTWHISSSBT

Back to back ANTWHISSSBB





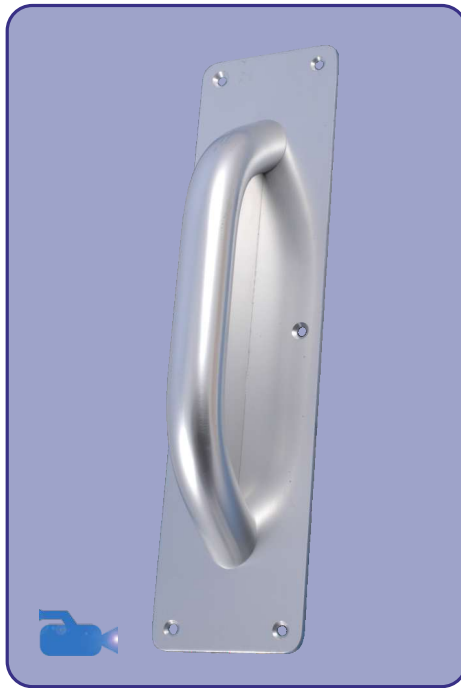
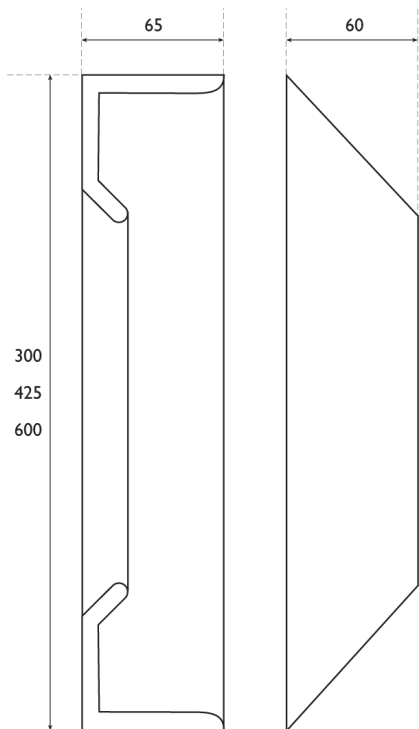
**ANTWHI** ↑

An aluminium pull handle designed to deter the attachment of ligatures by being angled top to bottom. The standard size is 300 x 65mm but lengths can be varied to suit customers' requirements.

**Options:**

Bolt through ANTWHIASBT

Back to back ANTWHIASBB



**ANT25INFILLPL** ↑

An anti-ligature pull handle which has a plate filling the gap under the handle, preventing ligature attachment.

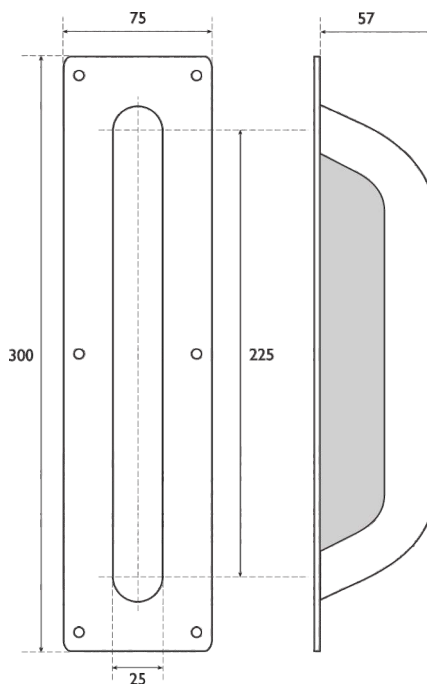
25 dia x 225 long and supplied on a plate 300 x 75mm. Available in polished aluminium or satin stainless steel.

**Options:**

Face fix on plate ANT25INFILLPLFF

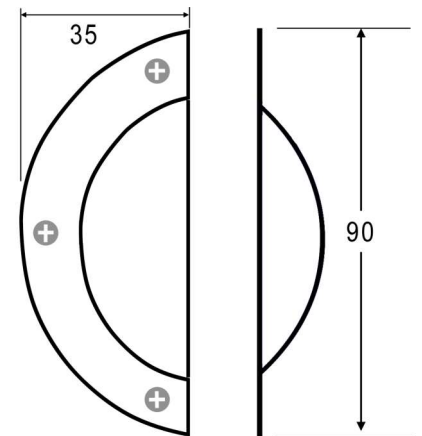
Back to back on plate

ANT25INFILLPLBB



**ANTCCPCP** ↑

A simple pull handle with a number of applications including draws or cupboards





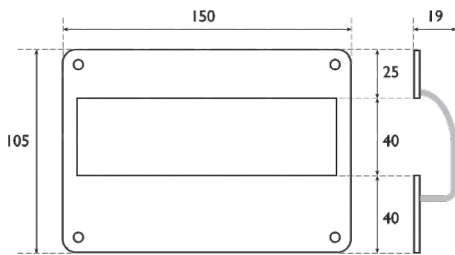
**ANTFPI** ↑

A flush pull handle 150 x 105mm. This pull handle has passed relevant fire tests using Lorient products intumescent pads (not supplied) for full details please contact our sales office. The inside of the grip is curved to prevent the insertion of a part to attach a ligature. there is an excellent grip and it can be fitted vertically or horizontally. Available in face fix or back to back supplied complete with tamperproof fixings.

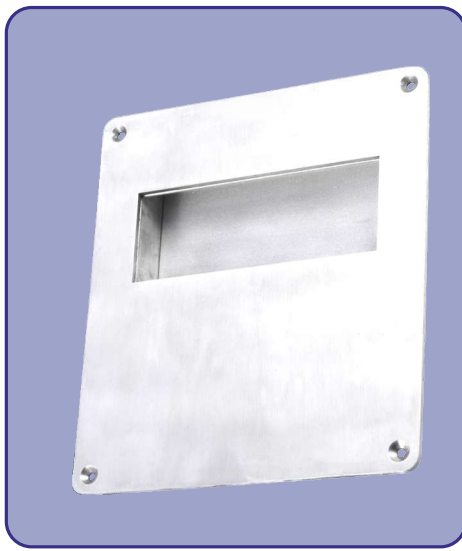
**Options:**

Single face fix ANTFPI

A pair back to back fix ANTFPI BB.



Contact our sales office for advice on back to back fixing of flush pulls. We recommend that these products are installed with intumescent pads



**ANTFP2** ↑

A flush pull handle 150 x 170mm. This pull handle has passed relevant fire tests using Lorient products intumescent pads (not supplied) for full details please contact our sales office. The inside of the grip is curved to prevent the insertion of a part to attach a ligature. there is an excellent grip and it can be fitted vertically or horizontally. Available in face fix or back to back supplied complete with tamperproof fixings.

**Options:**

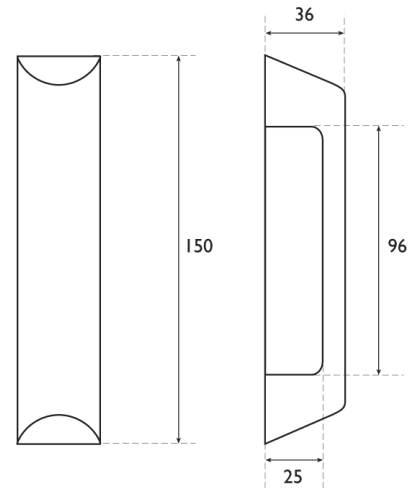
Single face fix ANTFP2

A pair back to back fix ANTFP2BB.



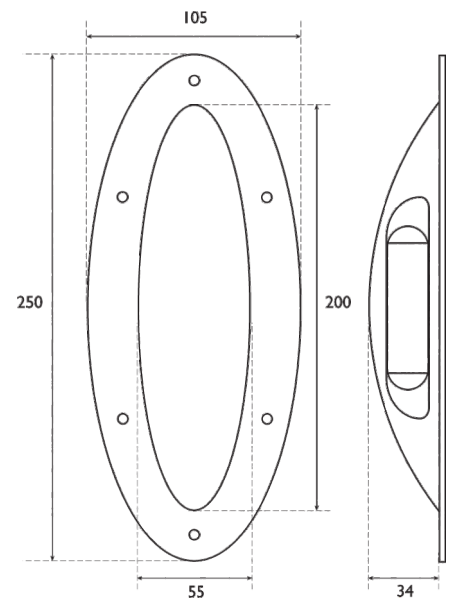
**ANT55** ↑

A pull handle with larger grip than ANT5 available in steel and aluminium. Powder coated to special order

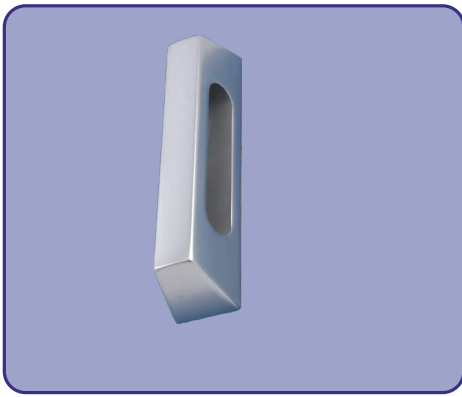


**ANTNORTONPL** ↑

An anti-ligature pull handle with smooth lines which discourage attachment of ligatures whilst having a “non institutional” appearance. Available in polished aluminium or satin stainless steel.







### ANTPH2 ↑

A simple window pull handle with chamfered sides to prevent ligature attachment. Available in aluminium or crinkle powder coated finish. 150mm long by 34mm wide.



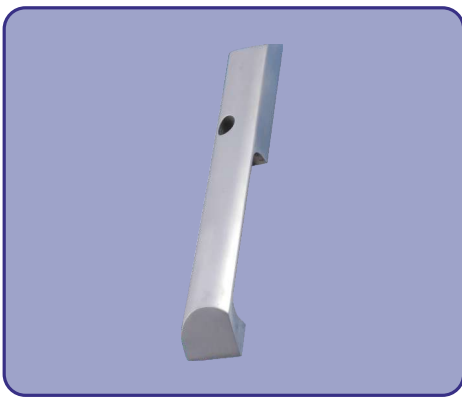
### ANTWIN2 ↑

A handle for use with espagnolette windows. Handle is removable and can be kept on a key ring. Ideal for top hung windows. Available in satin stainless steel only.



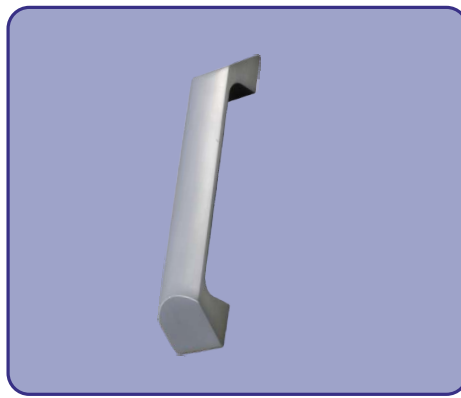
### ANTWIN4 ↑

A locking handle for use with espagnolette windows. The handle is set on a ball joint and swings freely on release, available in satin stainless steel only.



### ANTWIN6 ↑

A window pull with key hole. 150mm long x 22mm wide. Key is supplied to operate espagnolette. Available in aluminium or crinkle powder coated finish.



### ANTWIN52 ↑

Slim line window pull handle. 100mm long x 22mm wide. Available in aluminium or crinkle powder coated finish. Can be supplied on a plate for face fixing.



### ANTWCSPAS ↑

Cockspur anti-ligature window fastener. Designed to prevent unauthorised opening of windows. Cockspur can be locked back out of sight when window is open. Torx pin key release.

**Case Study** A product was installed at an NHS mental health facility in the Midlands to overcome a number of problems. The managers wanted to improve security and reduce risk to patients while keeping within a tightly controlled budget. This meant that replacing the windows was out of the question. Dortrend came up with a solution that met all the requirements. It was an ANTWCSPAS anti-ligature cockspur fastener (see above) which has been developed to be secure, ligature resistant and will fit both metal and wooden windows. This product saves the Health Trust lots of money as they can be retro-fitted to existing windows, rather than all the cost and disruption involved in installing new windows. The benefits to an acute psychiatric unit are immeasurable.



Most importantly the products are manufactured by Dortrend in Stourport where the company is able to customise the product to work to the particular requirements of the client. Unit managers were delighted with the result, "We wanted to improve the quality of life for the in-patients. These discreet, bespoke manufactured products allow them greater freedom to move around the Unit unsupervised. They are aesthetically pleasing and also reduce ligature & self harm issues with less supervision required."



### ANT363TT ⇐

The Dortrend anti-ligature clutch knob can be fitted to most cylinders, converting the cylinder to a anti-barricading solution.

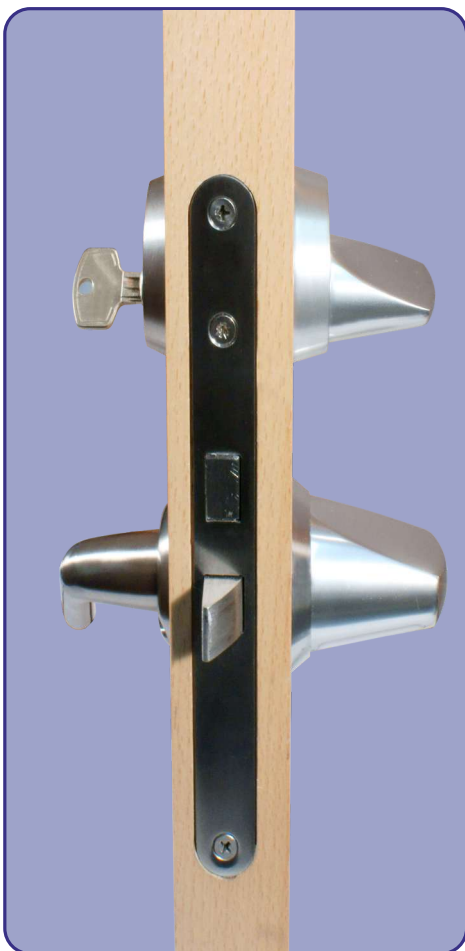
Most of the levers and knobs in this catalogue can be clutched, addressing a major concern in care homes in an efficient and economical way.

Please state door thickness, cylinder length and whether the cylinder is equal or unequal. Can be fitted to a cylinder or bathroom turn.



### ANT364TT ↑

An easy grip anti ligature knob can be used to pull the door closed available in stainless steel and aluminium. Can also be used in conjunction with bathroom set.



### ANTIFMI2CLTCK ↑

A clutched bathroom turn to prevent barricading with a carriage key release. We can supply coin release or torx pin release to special order.

### ANTIFMI2b ↑

Key included, 8mm spindle, 63mm roses, Spare key for the release in stainless steel.

### ANTLOCK ↑

A carriage key release in stainless steel



### ANTTPIFMI ↑

Anti-ligature torx pin release anti-tamper bathroom indicator with red /white indicator. Release can be used in conjunction with the turns illustrated with or without clutch knob mechanism



**ANTAT1FM12CL** ↑

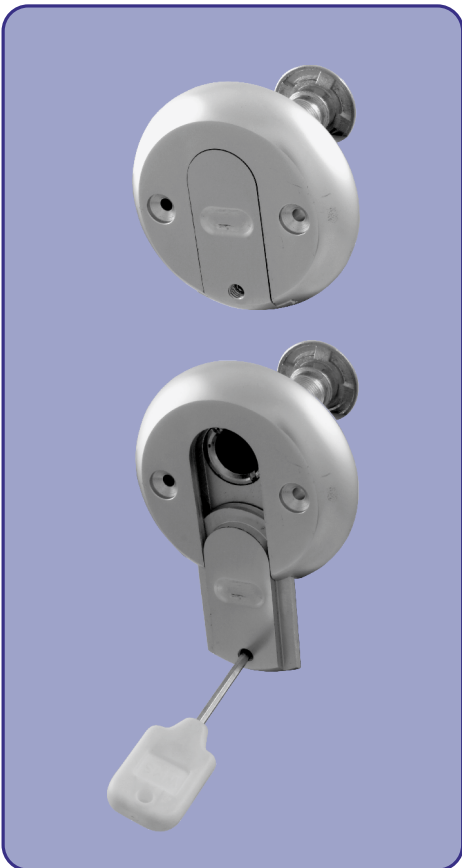
A bathroom set with clutch knob to prevent barricading.  
Key release included.  
Coin release to special order.

**ANTAT1FM12**

A bathroom set with key release  
Spindle size 8mm.  
Spare key for the release in stainless steel

**ANT1DVSS** ↓

Door viewer locks so that only staff can use it ensuring the privacy of service user.



**ANT363BB** ↑

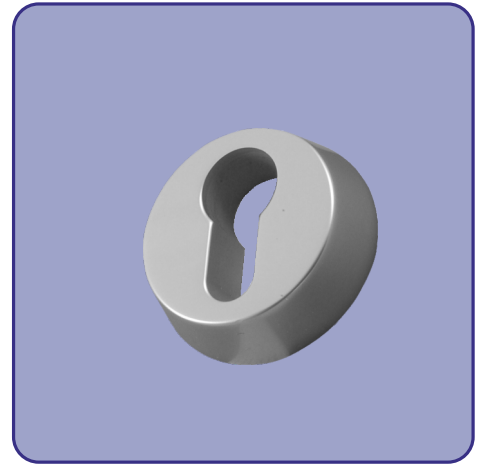
A 63 x 10mm escutcheon with chamfered edge which eliminates use as a ligature point.  
Available in aluminium or satin stainless steel. Supplied with tamper proof screws.

**Options:**

Face fixed ANT363FF  
Back to back ANT363BB  
Back to back with blank ANT363BBBL

**ANTELESC** ↓

Anti-ligature locking escutcheon for use in areas where cylinders can be jammed by inserting foreign objects.

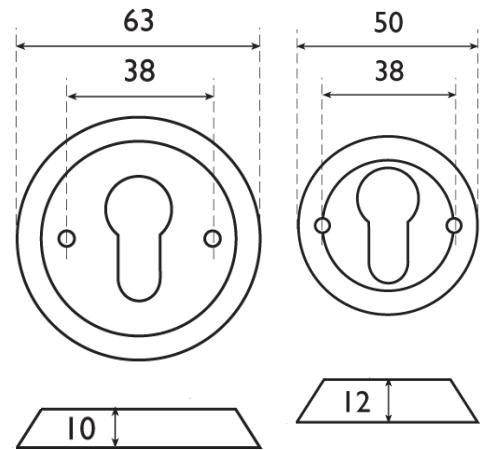


**ANT350** ↑

A 50 x 10mm euro escutcheon with chamfered edges which eliminates use as a ligature point.  
Available in aluminium or stainless steel.

**Options:**

Face fix ANT350FF  
Back to back ANT350BB  
Back to back with blank ANT350BBBL



**ANT363BLBB** ↑

Blank escutcheon 63 x 10mm with chamfered edges to eliminate use as a ligature point.

**Options:**

Face fix ANT363BFF  
Back fix ANT363BBF  
Back to back ANT363BLBB



### ANTCHI ↑

An anti-ligature coat hook 63mm diameter. The “hook” is fixed in a ball joint held in place by a spring loaded ball bearing. It will take the weight of a normal coat but additional weight will cause it to collapse, releasing any ligature. Available in stainless steel and aluminium. Can be adjusted for different weight requirements; this adjustment is not accessible once the hook is fitted with its tamper proof fixings.

Can also be supplied four to a plate.

### ANTCH2B ↑

The blue flexible coat hook for low security situations deforms under excessive load and can be supplied fixed to a plate.



### ANTPCSRW ↑

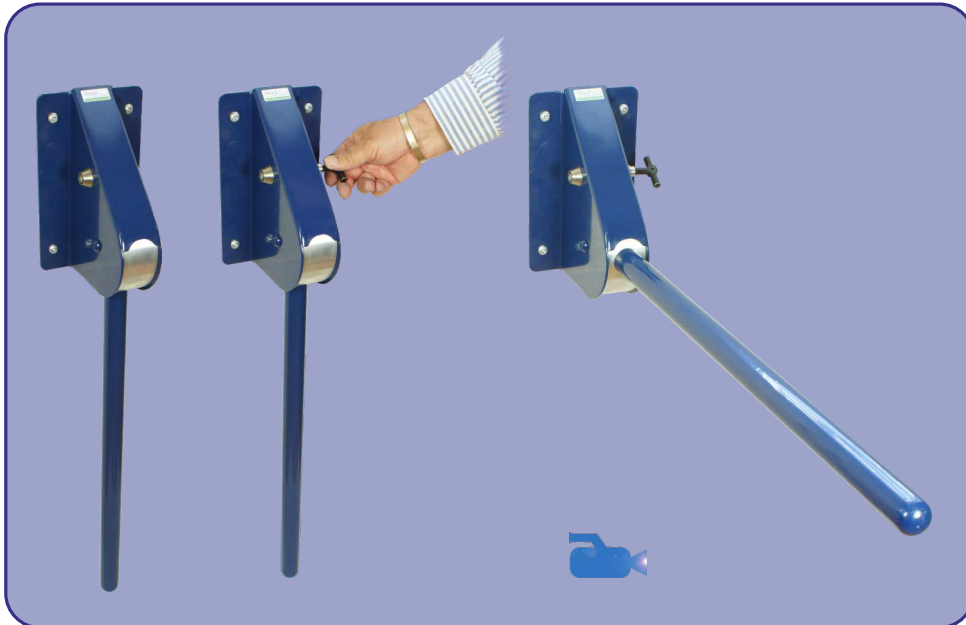
Anti-ligature Support Arm. This arm can be safely locked down to discourage the attachment of ligatures. For use with Dortrend grab rails to give a safe solution.

Available in white and blue other colours to special order coated with our TouchClean® antibacterial finish.



### ANTCTRIAS ↑

Ligature resistant collapsible towel holder. Collapses when any weight greater than a towel is applied.



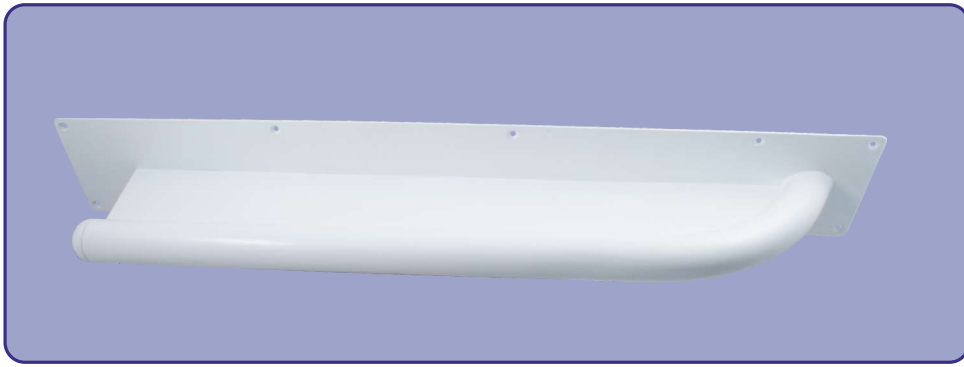
### ANTPCSDDR25PC ↑

A lockable drop down single support arm tested to support 160kg. It locks safely at 90° when not in use, and horizontally for supervised use. Can be supplied to lock down at a specified angle to avoid projections such as pipe boxing. Uses the same coach key as the emergency release.



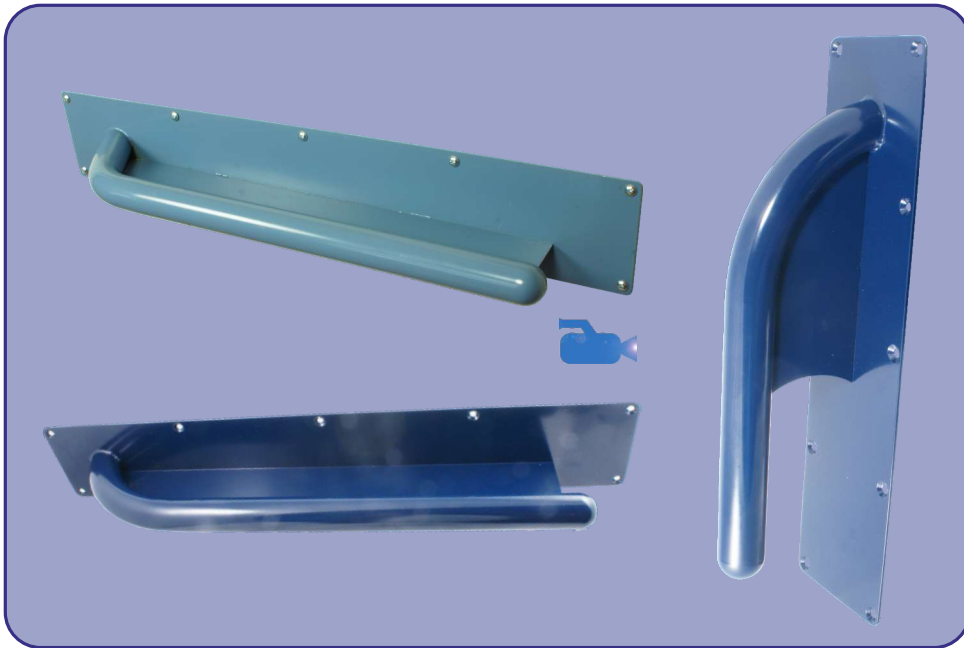
### ANT22EPCDD ↑

Vertical grab rail with bend for easy grip. Fixed vertically this grab rail can be used in conjunction with our support and horizontal grab rails available in white or blue (illustrated) other colours to special order.



### ANTSREPC ⇐

Shower rail can be fixed vertically or horizontally fillet plate angled to facilitate drainage of shower water. Coated with TouchClean® antibacterial finish. For full details visit our web site.



### ANT22EPC ⇐

Vertical grab rail. Fixed vertically this grab rail can be used in conjunction with our support and horizontal grab rails ANTGRPC

### ANTGRPC ⇐

Grab rail infill handle support provided by holding tubular pull handle or placing arm onto length of handle this product can be customised to specific requirements. Both rails are available in white or blue (illustrated) other colours to special order. Coated in our TouchClean® antibacterial finish, for full details visit our web site.



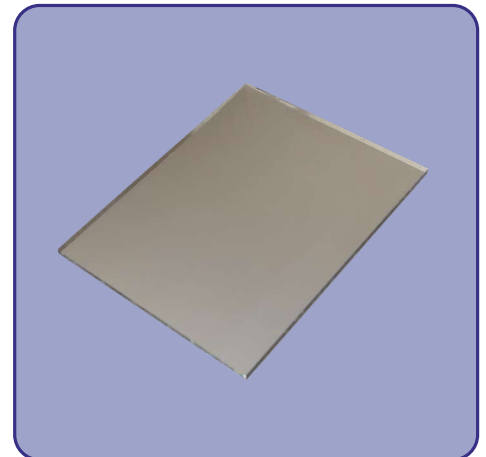
### ANTSPHSSS ↑

Anti-ligature soap holder for bath or shower in satin stainless steel 160mm high by 210 wide. Can be fixed with security screws or bonded into the wall.



### ANTTRH ↑

Anti-ligature toilet roll holder. Dimensions 210mm x 210mm. Can be fixed with security screws or bonded into the wall.



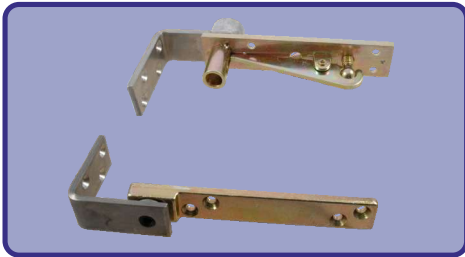
### ANTIACM ↑

Polycarbonate mirror, unbreakable 3mm thick, 450 x 275mm. Other sizes to special order supplied with torx pin security screws. Complete safety where glass or metal could compromise the safety of staff and clients.



**ANTHBDSSSS** ↑

Hold back door stop.  
 For use with pivots below.  
 To activate as a stop - press central pin in.  
 To allow the door to swing outwards-  
 push in whole stop.



**ANTPIVS** ↑

Double action pivot set.  
 A good solution to barricading issues  
 when used with ANTHBDSSS or  
 ANTERDS

**ANTENDOAKLTREL** ⇨

Anti-barricading door stop. The very  
 quick release of the stop whilst  
 remaining safely attached to the door  
 frame makes this well designed  
 product tick all the boxes. It can be  
 supplied in a number of finishes  
 including imitation wood, making it  
 unobtrusive, or white. The standard  
 size is 1 metre but can be supplied in  
 any length to special order.



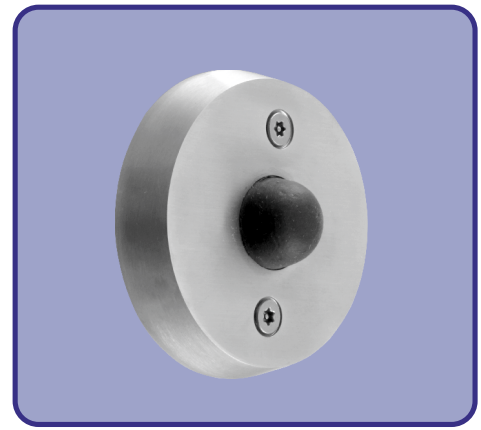
**ANTDSISSSTP** ↑

Floor door stop supplied with tamper  
 proof screw.



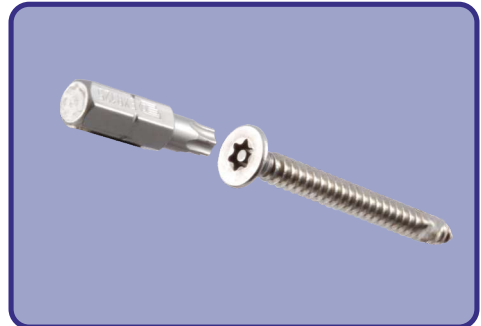
**ANTPPSS** ↑

Pivot point protector (please state  
 door thickness when ordering).  
 This product protects double swing  
 doors from damage caused by them  
 being forced over the door stop.  
 It is also an economical way of  
 repairing damaged doors and extending  
 the door life at a economical cost.



**ANTWDS63** ↑

Anti-ligature wall mounted door  
 stop prevents free swinging doors  
 from damaging walls. Tamper proof  
 rubber buffer supplied with Torx  
 screws.



All Dortrend Anti-Ligature products  
 are supplied with appropriate  
 security fasteners. Please note: we  
 do not recommend the use of power  
 drivers when installing these fixings.





### ANTWREPC/ANTLIGH ↑

Anti-ligature wardrobe rail and hanger..

Designed to discourage the attachment of ligatures.

For use with Dortrend ANTLIGH hangers designed to discourage the combining of a number of hangers to form a ligature point.

This system is superior to magnetic systems where the rail can be removed and used to endanger staff or for self harm.

Can be supplied in a range of colours, please state RAL number when ordering or contact our sales office for options available.



### ANTHGSSS ↑

An anti-ligature Class 13 Ball Race Hinge in stainless steel 100 x 75mm For use where a lower risk is assessed.



### ANTCHGSSS ⇐

Anti-ligature continuous hinge which provides an even weight distribution and uninterrupted sight line down the length of the door, which greatly reduces the possibility of a ligature point.

The range is available in a choice of widths and in standard lengths of 2000mm and 2134mm, with an option of non-standard lengths to order.

### Pre-Vue Privacy Vision Panels ↓

Pre-Vue privacy vision panels have been installed in major healthcare establishments for more than a decade and the product has seen rapid development that offers observation solutions for virtually any application including X ray, laser and mental health. Non fire rated versions are available in almost any



size with half hour and one hour panels available in sizes up to 800 x 600mm. Standard Pre-Vue Panels offer 30% of view into a room with the unique, patented Pre-Vue Plus offering an unparalleled 60%. Standard products in half hour and non fire rated, 400 x 400 and 800 x 250mm are available ex stock. Mental health versions have proven durability and are available with a variety of glass thicknesses together with locking and anti ligature operation according to use and environment. Can be supplied with or without security framing. Digitally screen printed panels can help to form a less institutional environment and images are virtually infinite. These pictorial vision panels allow service users to find their rooms easily giving a less institutional appearance. Contact our sales office for full details.



**SYNTHESIS**  
HARDWARE

**Synthesis Hardware  
Hanson & Beards Ltd**

tel: + 44 (0) 1422 306 830

fax: + 44 (0) 1422 306 831

e-mail: [info@hansonandbeards.co.uk](mailto:info@hansonandbeards.co.uk)

website: [www.synthesishardware.co.uk](http://www.synthesishardware.co.uk)

---