

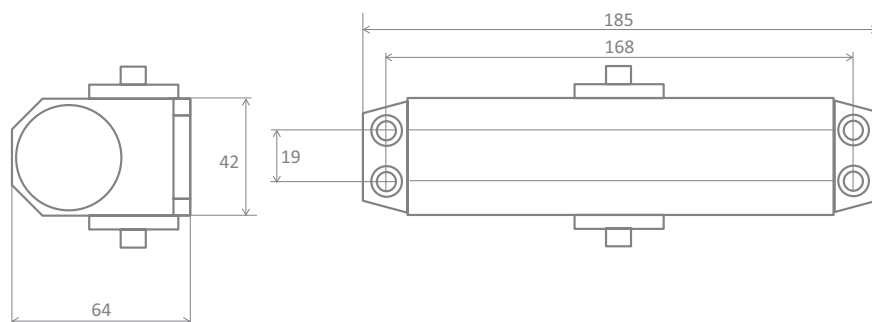


# SYNTHESIS

HARDWARE

SH2 - DOOR CLOSERS

## SH2.1000.01 Size 3 Budget Overhead Door Closer



### Product Overview:

Our entry level budget door closer, suitable for light/medium duty general applications including student accommodation, flat entrance doors etc.

4 8 3 1 1 3

### Testing & Standards:

- CE marked against EN1154
- Included in successful fire test to EN1634
- Suitable for use on timber fire doors of up to 120 minutes fire resistance
- Safe in use
- High corrosion resistance

### Specification

Closing Force	EN Size	3
Door Size (max)	Width (mm)	950
	Weight (kg)	60
Body Dimensions	Length (mm)	185
	Width (mm)	42
	Depth (mm)	64
Application	Regular Fig. 1	y
	Parallel Arm Fig. 6	y*
	Transom Fig. 61	y*
Mechanism	Rack & Pinion	y
Power Shoe Bracket		y
Angle Of Opening		180°
Non Handed		y
Power Adjustment By Spring		n
Power Adjustment By Position		n
Adjustable Sweep Speed		y
Adjustable Latch Speed		y
Adjustable Backcheck		n
Adjustable Delayed Action		n
Guarantee	Years	10

### Options

Architrave Brackets	n
Drop Plates	n
Hold-Open Arm (not suitable for use on fire doors)	n
Slide Arm & Track	n
Hollow Door Fixing Pack	n
Saddle Bracket For Glass Door Installation	n

### Cover Options

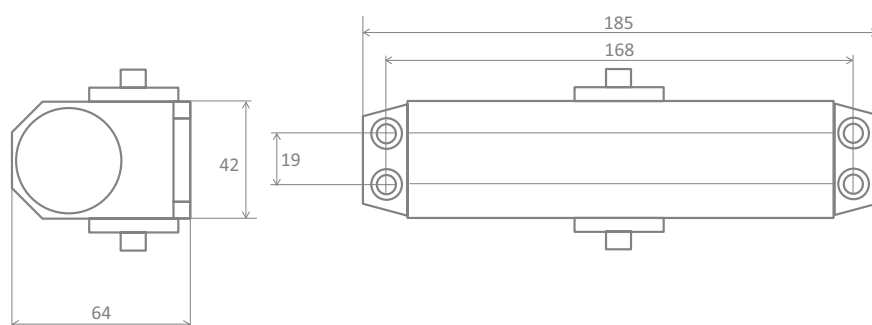
Radius Edge	n
Semi-Radius	n
Full-Radius	n
Square	n

### Finish Options

No Cover	SIL
Cover	n

\* these options are not covered by CE

## SH2.1100.01 Size 3 Budget Overhead Door Closer



### Product Overview:

Our entry level budget door closer with full square cover, suitable for light/medium duty general applications including student accommodation, flat entrance doors etc.

4 8 3 1 1 3

### Testing & Standards:

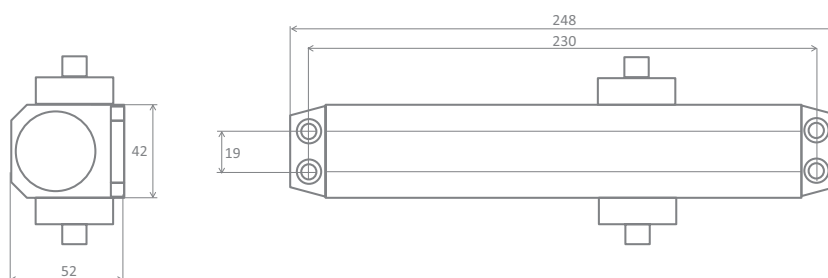
- CE marked against EN1154
- Included in successful fire test to EN1634
- Suitable for use on timber fire doors of up to 120 minutes fire resistance
- Safe in use
- High corrosion resistance

### Specification

Closing Force	EN Size	3*
Door Size (max)	Width (mm)	950
	Weight (kg)	60
Body Dimensions	Length (mm)	185
	Width (mm)	42
	Depth (mm)	64
Application	Regular Fig. 1	y
	Parallel Arm Fig. 6	y*
	Transom Fig. 61	y*
Mechanism	Rack & Pinion	y
Power Shoe Bracket		y
Angle Of Opening		180°
Non Handed		y
Power Adjustment By Spring		n
Power Adjustment By Position		y
Adjustable Sweep Speed		y
Adjustable Latch Speed		y
Adjustable Backcheck		n
Adjustable Delayed Action		n
Guarantee	Years	10
<b>Options</b>		
Architrave Brackets		n
Drop Plates		n
Hold-Open Arm (not suitable for use on fire doors)		n
Slide Arm & Track		n
Hollow Door Fixing Pack		n
Saddle Bracket For Glass Door Installation		n
<b>Cover Options</b>		
Radius Edge		n
Semi-Radius		n
Full-Radius		n
Square		y
<b>Finish Options</b>		
No Cover		SIL
Cover		SIL, SSS, PSS

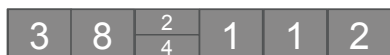
\* these options are not covered by CE

## SH2.2000.01 Size 2-4 Contract Overhead Door Closer



### Product Overview:

A versatile medium duty variable power overhead door closer, suitable for most applications.



### Testing & Standards:

- CE marked against EN1154
- Included in successful fire test to EN1634
- Suitable for use on timber fire doors of up to 120 minutes fire resistance
- Safe in use
- Medium corrosion resistance

### Specification

Specification	EN Size	2-4
Closing Force	EN Size	2-4
Door Size (max)	Width (mm)	1100
	Weight (kg)	80
Body Dimensions	Length (mm)	248
	Width (mm)	42
	Depth (mm)	52
Application	Regular Fig. 1	y
	Parallel Arm Fig. 6	y*
	Transom Fig. 61	y*
Mechanism	Rack & Pinion	y
Power Shoe Bracket		y
Angle Of Opening		105°
Non Handed		y
Power Adjustment By Spring		y
Power Adjustment By Position		n
Adjustable Sweep Speed		y
Adjustable Latch Speed		y
Adjustable Backcheck		y
Adjustable Delayed Action		y
Guarantee	Years	10

### Options

Architrave Brackets	n
Drop Plates	n
Hold-Open Arm (not suitable for use on fire doors)	n
Slide Arm & Track	n
Hollow Door Fixing Pack	n
Saddle Bracket For Glass Door Installation	n

### Cover Options

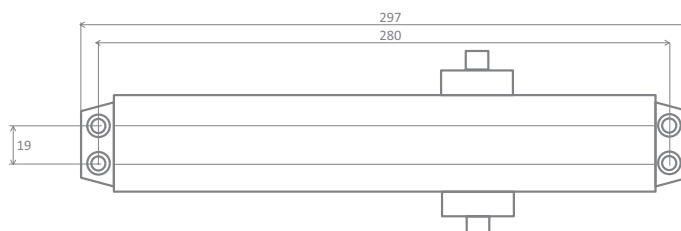
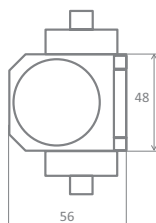
Radius Edge	y
Semi-Radius	n
Full-Radius	n
Square	n

### Finish Options

No Cover	n
Cover	SIL, SSS, PSS,

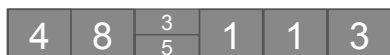
\* these options are not covered by CE

## SH2.2100.01 Size 3-5 Contract Overhead Door Closer



### Product Overview:

A versatile heavy duty variable power overhead door closer, suitable for most applications.



### Testing & Standards:

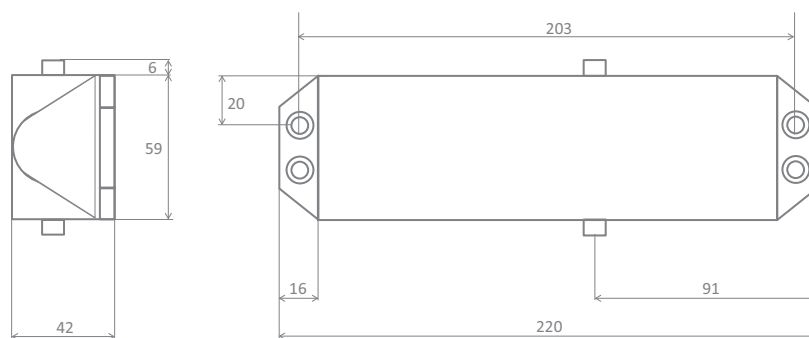
- CE marked against EN1154
- Included in successful fire test to EN1634
- Suitable for use on timber fire doors of up to 120 minutes fire resistance
- Safe in use
- High corrosion resistance

### Specification

Closing Force	EN Size	3-5
Door Size (max)	Width (mm)	1250
	Weight (kg)	100
Body Dimensions	Length (mm)	297
	Width (mm)	48
	Depth (mm)	56
Application	Regular Fig. 1	y
	Parallel Arm Fig. 6	y*
	Transom Fig. 61	y*
Mechanism	Rack & Pinion	y
Power Shoe Bracket		y
Angle Of Opening		180°
Non Handed		y
Power Adjustment By Spring		y
Power Adjustment By Position		y
Adjustable Sweep Speed		y
Adjustable Latch Speed		y
Adjustable Backcheck		y
Adjustable Delayed Action		n
Guarantee	Years	10
<b>Options</b>		
Architrave Brackets		n
Drop Plates		n
Hold-Open Arm (not suitable for use on fire doors)		n
Slide Arm & Track		n
Hollow Door Fixing Pack		n
Saddle Bracket For Glass Door Installation		n
<b>Cover Options</b>		
Radius Edge		y
Semi-Radius		n
Full-Radius		n
Square		n
<b>Finish Options</b>		
No Cover		n
Cover		SIL, SSS, PSS, PB

\* these options are not covered by CE

## SH2.3000.01 Size 2-4 Architectural Slimline Overhead Door Closer



### Product Overview:

A stylish adjustable power overhead door closer, which is suitable for many applications where there is general usage, such as office accommodation, flat entrance doors etc.

4 8 3 1 1 3

### Testing & Standards:

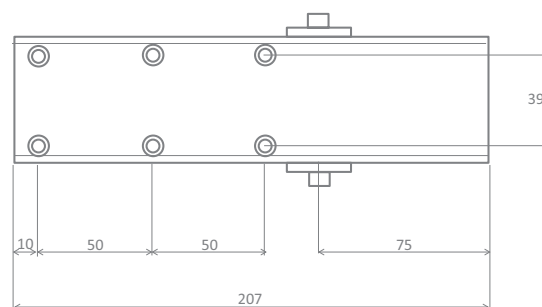
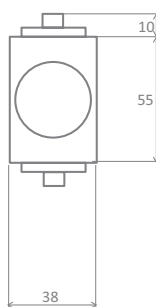
- CE marked against EN1154
- Included in successful fire test to EN1634
- Suitable for use on timber fire doors of up to 120 minutes fire resistance
- Certifire approved - refer to CF689 for scope of approval
- Safe in use
- High corrosion resistance

### Specification

Closing Force (Fig 1 & Fig 6)	EN Size	3**
Door Size (max)	Width (mm)	950
	Weight (kg)	60
Body Dimensions	Length (mm)	220
	Width (mm)	59
	Depth (mm)	42
Application	Regular Fig. 1	y
	Parallel Arm Fig. 6	y
	Transom Fig. 61	y*
Mechanism	Rack & Pinion	y
Power Shoe Bracket		y
Angle Of Opening		180°
Non Handed		y
Power Adjustment By Spring		n
Power Adjustment By Position		y
Adjustable Sweep Speed		y
Adjustable Latch Speed		y
Adjustable Backcheck		n
Adjustable Delayed Action		n
Guarantee	Years	25
<b>Options</b>		
Architrave Brackets		n
Drop Plates		n
Hold-Open Arm (not suitable for use on fire doors)		y*
Slide Arm & Track		n
Hollow Door Fixing Pack		y*
Saddle Bracket For Glass Door Installation		n
<b>Cover Options</b>		
Radius Edge		y
Semi-Radius		n
Full-Radius		n
Square		n
<b>Finish Options</b>		
No Cover		SIL
Cover		SIL, SSS, PSS, PB, RAL, BRONZE

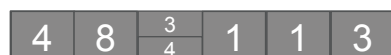
\*\* optional 2-4 by template (not covered by Certifire and non CE)  
\* these options are not covered by the Certifire and non CE

## SH2.4400.01 Size 2-4 Architectural Slimline Overhead Door Closer



### Product Overview:

An efficient, durable and stylish adjustable power overhead door closer. Suitable for most applications particularly those with constant use which require a backcheck function.



### Testing & Standards:

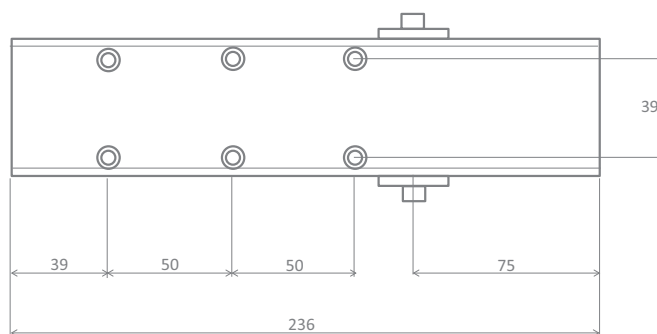
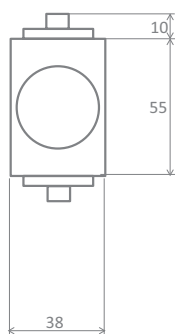
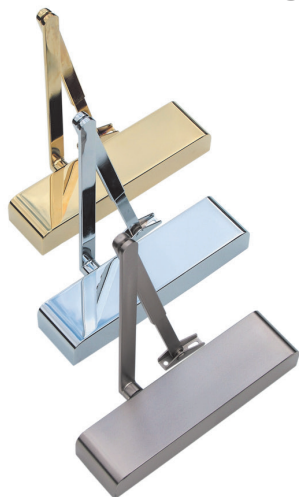
- CE marked against EN1154
- Included in successful fire test to EN1634
- Suitable for use on timber fire doors of up to 120 minutes fire resistance and 240 minutes on steel doors
- Certifire approved - refer to CF689 for scope of approval
- Safe in use
- High corrosion resistance

### Specification

Closing Force (Fig 1 & Fig 6)	EN Size	2-4
Door Size (max)	Width (mm)	1100
	Weight (kg)	80
Body Dimensions	Length (mm)	207
	Width (mm)	55
	Depth (mm)	38
Application	Regular Fig. 1	y
	Parallel Arm Fig. 6	y
	Transom Fig. 61	y*
Mechanism	Rack & Pinion	y
Power Shoe Bracket		y
Angle Of Opening		180°
Non Handed		y
Power Adjustment By Spring		n
Power Adjustment By Position		y
Adjustable Sweep Speed		y
Adjustable Latch Speed		y
Adjustable Backcheck		y
Adjustable Delayed Action		n
Guarantee	Years	25
<b>Options</b>		
Architrave Brackets		y*
Drop Plates		y*
Hold-Open Arm (not suitable for use on fire doors)		y*
Slide Arm & Track		n
Hollow Door Fixing Pack		y*
Saddle Bracket For Glass Door Installation		y*
Upstand Bracket For Over Panel Or UPVC Door		y*
<b>Cover Options</b>		
Radius Edge		y
Semi-Radius		y
Full-Radius		y
Square		y
<b>Finish Options</b>		
No Cover		SIL
Cover		SIL, SSS, PSS, PB, RAL, T304, BRONZE

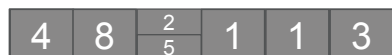
\* these options are not covered by CE or Certifire

## SH2.4500.01 Size 2-5 Architectural Slimline Overhead Door Closer



### Product Overview:

A highly efficient, durable and stylish variable power overhead door closer. Suitable for most applications particularly those with public use.



### Testing & Standards:

- CE marked against EN1154
- Included in successful fire test to EN1634
- Suitable for use on timber fire doors of up to 120 minutes fire resistance and 240 minutes on steel doors
- Certifire approved - refer to CF689 for scope of approval
- Safe in use
- High corrosion resistance

### BS8300/Equalities Act/Approved Document 'M'

The TS5.225 Overhead door closer (Standard fixing position) has an opening force (0-30°) less than 30N when fitted to a minimum width door of 900mm (Fig 1) & 826mm (Fig 6), and has an opening force (30-60°) less than 22.5N when fitted to a minimum width door of 826mm.

Therefore the suitable width of door for the TS5.225 Overhead door closer when fitted in the above fixing positions shall be 900mm, Fig 1 & 826mm Fig 6.

NOTE : BS 8300 Requirements are for the whole door set and therefore the minimum suitable door width will increase when the door closer is fitted with all other items of ironmongery on site.

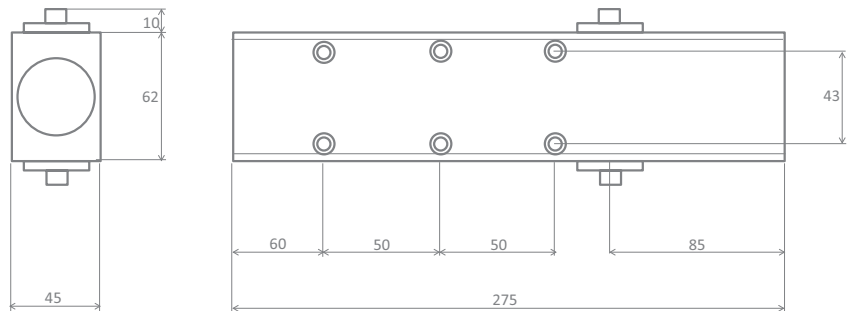
### Specification

Closing Force (Fig 1 & Fig 6)	EN Size	2-5
Door Size (max)	Width (mm)	1250
	Weight (kg)	100
Body Dimensions	Length (mm)	236
	Width (mm)	58
	Depth (mm)	38
Application	Regular Fig. 1	y
	Parallel Arm Fig. 6	y
	Transom Fig. 61	y*
Mechanism	Rack & Pinion	y
Power Shoe Bracket		y
Angle Of Opening		180°
Non Handed		y
Power Adjustment By Spring		y
Power Adjustment By Position		n
Adjustable Sweep Speed		y
Adjustable Latch Speed		y
Adjustable Backcheck		y
Adjustable Delayed Action		y
Guarantee	Years	25
<b>Options</b>		
Architrave Brackets		y*
Drop Plates		y*
Hold-Open Arm (not suitable for use on fire doors)		y*
Slide Arm & Track		n
Hollow Door Fixing Pack		y*
Saddle Bracket For Glass Door Installation		y*
Upstand Bracket For Over Panel Or UPVC Door		y*
<b>Cover Options</b>		
Radius Edge		y
Semi-Radius		y
Full-Radius		y
Square		y
<b>Finish Options</b>		
No Cover		SIL
Cover		SIL, SSS, PSS, PB, RAL, T304, BRONZE

\* these options are not covered by CE or Certifire

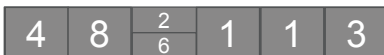


## SH2.4600.01 Size 2-6 Architectural Slimline Overhead Door Closer



### Product Overview:

A highly efficient, durable and stylish variable power overhead door closer. Suitable for most applications particularly those with public use.



### Testing & Standards:

- CE marked against EN1154
- Included in successful fire test to EN1634
- Suitable for use on timber fire doors of up to 120 minutes fire resistance
- Safe in use
- High corrosion resistance

### BS8300/Equalities Act/Approved Document 'M'

The TS5.226 Overhead door closer (Standard fixing position) has an opening force (0-30°) less than 30N when fitted to a minimum width door of 900mm (Fig 1) & 826mm (Fig 6), and has an opening force (30-60°) less than 22.5N when fitted to a minimum width door of 826mm.

Therefore the suitable width of door for the TS5.226 Overhead door closer when fitted in the above fixing positions shall be 900mm, Fig 1 & 826mm Fig 6.  
NOTE : BS 8300 Requirements are for the whole door set and therefore the minimum suitable door width will increase when the door closer is fitted with all other items of ironmongery on site.

### Specification

Closing Force (Fig 1)	EN Size	2-6
Door Size (max)	Width (mm)	1400
	Weight (kg)	120
Body Dimensions	Length (mm)	275
	Width (mm)	62
	Depth (mm)	45
Application	Regular Fig. 1	y
	Parallel Arm Fig. 6	y*
	Transom Fig. 61	y*
Mechanism	Rack & Pinion	y
Power Shoe Bracket		n
Angle Of Opening		180°
Non Handed		y
Power Adjustment By Spring		y
Power Adjustment By Position		n
Adjustable Sweep Speed		y
Adjustable Latch Speed		y
Adjustable Backcheck		y
Adjustable Delayed Action		n
Guarantee	Years	25

### Options

Architrave Brackets	y*
Drop Plates	y*
Hold-Open Arm (not suitable for use on fire doors)	y*
Slide Arm & Track	n
Hollow Door Fixing Pack	y*
Saddle Bracket For Glass Door Installation	y*
Upstand Bracket For Over Panel Or UPVC Door	y

### Cover Options

Radius Edge	n
Semi-Radius	y
Full-Radius	n
Square	y

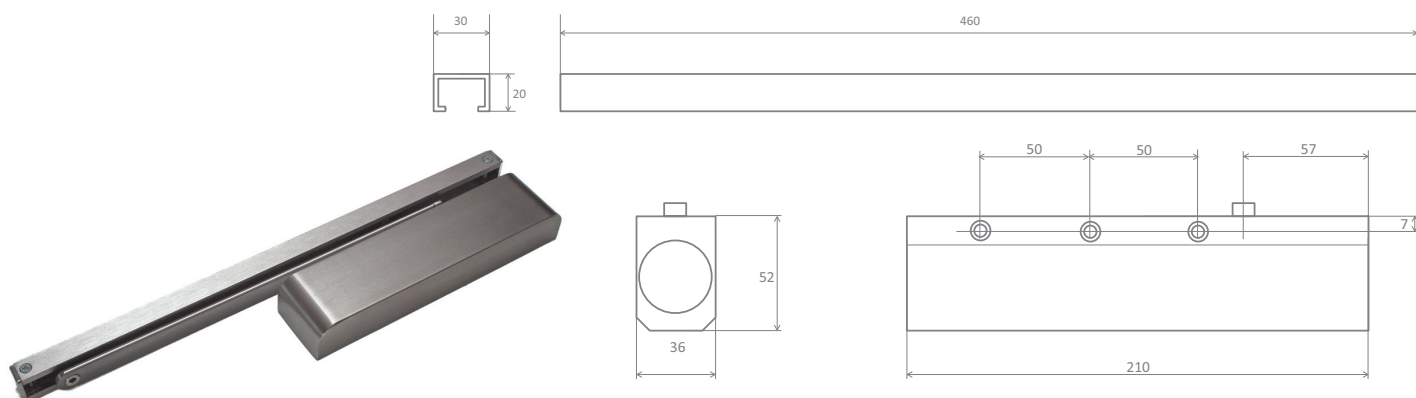
### Finish Options

No Cover	n
Cover	SIL, SSS, PSS, PB, RAL, T304, BRONZE

\* these options are not covered by CE

## SH2.5000.01 Size 2-4 Architectural Slimline Cam Action Door Closer

Available in EMF version SH2.5010.01



### Product Overview:

A high efficiency, true cam action slide arm closer. Suitable for most applications particularly those with public use.



### Testing & Standards:

- CE marked against EN1154
- Included in successful fire test to EN1634
- Suitable for use on timber fire doors of up to 120 minutes fire resistance
- Safe in use
- High corrosion resistance

### BS8300/Equalities Act/Approved Document 'M'

The TS6.224 Overhead door closer (Standard fixing position) has an opening force (0-30°) less than 30N when fitted to a minimum width door of 803mm, and has an opening force (30-60°) less than 22.5N when fitted to a minimum width door of 573mm.

Therefore the suitable width of door for the TS6.224 Overhead door closer when fitted in the above fixing position shall be 803mm.

NOTE : BS 8300 Requirements are for the whole door set and therefore the minimum suitable door width will increase when the door closer is fitted with all other items of ironmongery on site.

### Specification

Closing Force (Fig 1 & Fig 6)	EN Size	3*
Door Size (max)	Width (mm)	950
	Weight (kg)	60
Body Dimensions	Length (mm)	210
	Width (mm)	52
	Depth (mm)	36
Application	Regular Fig. 1	y
	Parallel Arm Fig. 6	y*
	Transom Fig. 61	y*
Mechanism	Cam	y
Power Shoe Bracket		n
Angle Of Opening		110°
Non Handed		y
Power Adjustment By Spring		y
Power Adjustment By Position		n
Adjustable Sweep Speed		y
Adjustable Latch Speed		y
Adjustable Mechanical Backstop		o
Adjustable Delayed Action		n
Guarantee	Years	25

### Options

Architrave Brackets	n
Drop Plates	n
Track Hold-Open Device (not suitable for use on fire doors)	y*
Hollow Door Fixing Pack	n
Saddle Bracket For Glass Door Installation	n
Mounting Plate	y

### Cover Options

Radius Edge	n
Semi-Radius	y
Full-Radius	n
Square	n

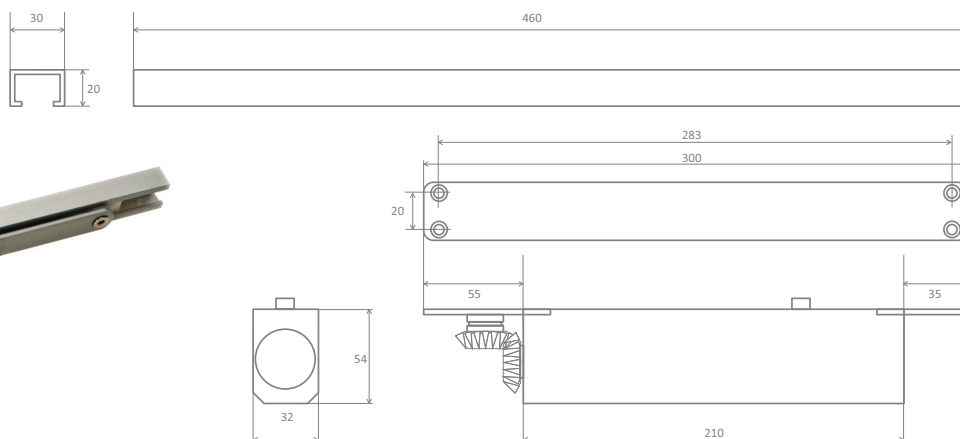
### Finish Options

No Cover	n
Cover	SIL, SSS, PSS, PB, RAL, BRONZE

\* these options are not covered by CE

## SH2.6000.01 Size 2-4 Concealed Cam Action Door Closer

Available in EMF version SH2.6010.01



### Product Overview:

A high efficiency, true cam action concealed slide arm closer. Suitable for most applications particularly those with public use.

3 8 3 1 1 3

### Testing & Standards:

- CE marked against EN1154
- Included in successful fire test to EN1634
- Suitable for use on timber fire doors
  - 44mm - 30 minutes fire resistance
  - 54mm - 60 minutes fire resistance with suitable intumescent pack
- Safe in use
- High corrosion resistance

### BS8300/Equalities Act/Approved Document 'M'

The ITS6.224 concealed overhead door closer has an opening force (0-30°) less than 30N when fitted to a minimum door width of 803mm and has an opening force (30-60°) less than 22.5N when fitted to a minimum width door of 573mm.

The suitable width of door for the ITS6.224 overhead door closer shall be 803mm.

NOTE : BS 8300 requirements are for the whole door set and therefore the minimum suitable door width will increase when the door closer is fitted with other items of ironmongery. Site conditions may also affect performance.

### Specification

Closing Force	EN Size	3*
Door Size (max)	Width (mm)	950
	Weight (kg)	60
Body Dimensions	Length (mm)	210
	Width (mm)	32
	Depth (mm)	54
Application	Concealed	y
Mechanism	Cam	y
Power Shoe Bracket		n
Angle Of Opening		110°
Non Handed		y
Power Adjustment By Spring		y
Power Adjustment By Position		n
Adjustable Sweep Speed		y
Adjustable Latch Speed		y
Adjustable Mechanical Backstop		y
Adjustable Delayed Action		n
Guarantee	Years	25

### Options

Architrave Brackets	n
Drop Plates	n
Track Hold-Open Device (not suitable for use on fire doors)	y*
Hollow Door Fixing Pack	n
Intumescent Pack For Fire Door Installation	y*

### Cover Options

Radius Edge	n
Semi-Radius	n
Full-Radius	n
Square	n

### Finish Options

No Cover	y
Arm And Track	SIL, SSS, PSS, PB, RAL, BRONZE

\* these options are not covered by CE

## SH2.8300.01 Size 3 Floor Spring SH2.8400.01 Size 4 Floor Spring



### Product Overview:

A efficient floor spring range, which is suitable for most applications. Particularly suitable for schools and hospitals where there is constant usage.

TS3.003



TS3.004



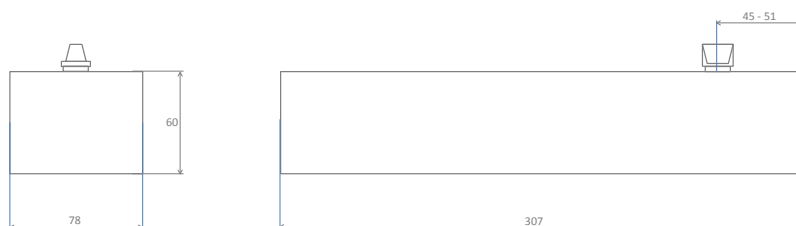
### Testing & Standards:

- CE marked against EN1154
- Included in successful fire test to EN1634
- Certifire approved - refer to CF5254 for scope of approval
- Safe in use
- High corrosion resistance

Specification		TS3.003	TS3.004
Closing Force	EN Size	3	4
Door Size (max)	Width (mm)	950	1100
	Weight (kg)	105	150
Body Dimensions	Length (mm)	306	
	Width (mm)	108	
	Depth (mm)	40	
Application	Regular Fig. 1	n/a	
	Parallel Arm Fig. 6	n/a	
	Transom Fig. 61	n/a	
Mechanism	Cam	y	
Power Shoe Bracket		n/a	
Angle Of Opening		130°	
Non Handed		y	
Power Adjustment By Spring		n	
Power Adjustment By Position		n	
Adjustable Sweep Speed		y	
Adjustable Latch Speed		y	
Adjustable Backcheck		y	
Adjustable Delayed Action		n	
Guarantee	Years	25	
<b>Options</b>			
Hold-Open (not suitable for use on fire doors)		y*	
Single Action Accessories		y	
Double Action Accessories		y	
Spindle Extension		y	
Coffin Box		y	
<b>Finish Options</b>			
Cover		SSS, PB	

\* these options are not covered by CE or Certifire

## SH2.8410.01 Size 4 Heavy Duty Electro-Magnetic Hold Open Floor Spring



### Product Overview:

Premium specification, high performance electro-magnetic hold-open floorspring. Suitable for most applications, especially those requiring compliance with the Equalities Act.

3 8 4 1 1 3

### Testing & Standards:

- CE marked against EN1155
- Included in successful fire test to EN1634
- Suitable for use on fire doors of up to 60 minutes fire resistance
- Safe in use
- High corrosion resistance

### Electrical Details:

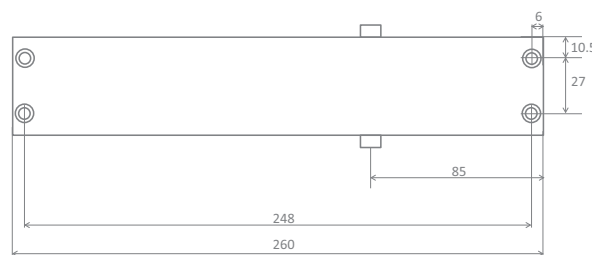
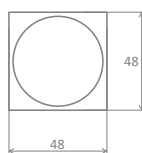
- Current Draw: 95 Milliamp
- Voltage: 24v DC

### Specification

Closing Force	EN Size	4
Door Size (max)	Width (mm)	1100
	Weight (kg)	150
Body Dimensions	Length (mm)	307
	Width (mm)	78
	Depth (mm)	60
Application	Regular Fig. 1	n/a
	Parallel Arm Fig. 6	n/a
	Transom Fig. 61	n/a
Mechanism	Cam	y
Power Shoe Bracket		n/a
Angle Of Opening		175°
Non Handed		y
Power Adjustment By Spring		n
Power Adjustment By Position		n
Adjustable Sweep Speed		y
Adjustable Latch Speed		n
Backcheck		y
Adjustable Delayed Action		n
Guarantee	Years	2
<b>Options</b>		
Single Action Accessories		y
Double Action Accessories		y
Spindle Extension		y
Gel Pack		y
<b>Finish Options</b>		
Cover		SSS, PB

\* these options are not covered by CE

## SH2.4410.01 Size 4 Architectural Slimline Hold Open/Swing Free Universal EMAG



### Product Overview:

A truly universal eletro-magnetic door closer with all options in one unit. Suitable for most applications particularly those with public use.

3 8 4 1 1 3

### Testing & Standards:

- CE marked against EN1155
- Included in successful fire test to EN1634
- Suitable for use on timber fire doors of up to 120 minutes fire resistance
- Certifire approved - refer to CF5023 for scope of approval
- Safe in use
- High corrosion resistance

### BS8300/Equalities Act/Approved Document 'M'

The TS7.004 Overhead door closer has hold-open and swing-free functions making it suitable for use in applications where ease of access is important and compliance with the requirements of The Equalities Act.

There is no minimum door size for the TS7.004 to help meet the requirements laid down by The Equalities Act.

### Electrical Details:

- Current Draw: 95 Miliamp
- Voltage: 24v DC

### Specification

Closing Force	EN Size	4
Door Size (max)	Width (mm)	1100
	Weight (kg)	80
Body Dimensions	Length (mm)	260
	Width (mm)	48
	Depth (mm)	48
Application	Regular Fig. 1	y
	Parallel Arm Fig. 6	y
	Transom Fig. 61	y*
Mechanism	Rack & Pinion	y
Power Shoe Bracket		n
Angle Of Opening		180°
Non Handed		y
Power Adjustment By Spring		n
Power Adjustment By Position		n
Adjustable Sweep Speed		y
Adjustable Latch Speed		y
Adjustable Backcheck		y
Adjustable Delayed Action		n
Guarantee	Years	2

### Options

Mounting Plate	y
Drop Plates	n
Hold-Open Arm (not suitable for use on fire doors)	n
Slide Arm & Track	n
Extra Long Loop	y
Saddle Bracket For Glass Door Installation	n
Power Supply Units, 1 Amp, 2 Amp & 4 Amp	y

### Cover Options

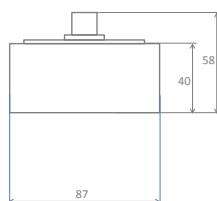
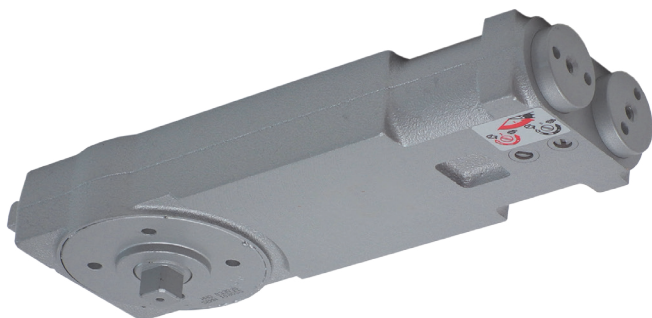
Radius Edge	n
Semi-Radius	y
Full-Radius	n
Square	y

### Finish Options

No Cover	SIL
Cover	SIL, SSS, PSS, PB, RAL, BRONZE

\* these options are not covered by CE or Certifire

## SH2.7300.01 Size 3 Concealed Transom Closer



### Product Overview:

A concealed transom double action closer suitable for most commercial applications. Complete with bottom pivot and side load arm.

### Specification

Closing Force	EN Size	3
Door Size (max)	Width (mm)	950
	Weight (kg)	60
Body Dimensions	Length (mm)	282
	Width (mm)	87
	Depth(mm)	40
Application	Regular Fig. 1	n/a
	Parallel Arm Fig. 6	n/a
	Transom Fig. 61	n/a
Mechanism	Cam	y
Power Shoe Bracket		n/a
Angle Of Opening		130°
Non Handed		y
Power Adjustment By Spring		n
Power Adjustment By Position		n
Adjustable Sweep Speed		y
Adjustable Latch Speed		y
Adjustable Backcheck		n
Adjustable delayed Action		n
Guarantee	Years	10

### Options

Hold Open		n
Bottom Pivot		y
Side Load Arm		y

### Finish Options

n/a		
-----	--	--





**SYNTHESIS**  
HARDWARE

**Synthesis Hardware  
Hanson & Beards Ltd**

tel: + 44 (0) 1422 306 830

fax: + 44 (0) 1422 306 831

e-mail: [info@hansonandbeards.co.uk](mailto:info@hansonandbeards.co.uk)

website: [www.synthesishardware.co.uk](http://www.synthesishardware.co.uk)

---